



## RV4NAYSD254A

**RV4 Series Industrial Potentiometer, Conductive Plastic Element, Solder lug Terminals, 2 W Power Rating, 250 kOhm Resistance Value**

*Representative photograph, actual product appearance may vary.*

*Due to regional agency approval requirements, some products may not be available in your area. Please contact your regional Honeywell office regarding your product of choice.*

### Features

- Robust nickel-plated brass shaft and bushings
- Conductive plastic element
- Linear taper
- 25,000 cycle rotational life
- Meets MIL-PRF-94 standards

### Typical Applications

- Manual controls (throttle, joystick)
- Electric vehicles
- Personal mobility
- Off-road vehicles
- Welding and heating
- Telecommunications

### Description

The RV4 Series is a military qualified potentiometer made in accordance to MIL-PRF-94 specifications. It offers a 2 watt power rating and a conductive plastic element.

## RV4NAYSD254A

**RV4 Series Industrial Potentiometer, Conductive Plastic Element, Solder lug Terminals, 2 W Power Rating, 250 kOhm Resistance Value**

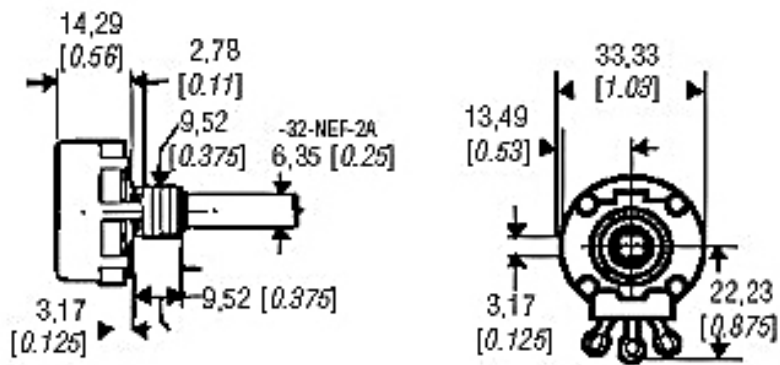
| Product Specifications |  |
|------------------------|--|
| Potentiometer Type     | Industrial   |
| Element Type           | Conductive Plastic   |
| Terminal Type          | Solder lug   |
| Power Rating           | 2 W  |
| Resistance Value       | 250 KOhm   |
| Resistance Tolerance   | ± 10 %   |
| Linearity              | ± 5 %  |
| Bushing Thread         | 9,53 mm [0.375 in] x 32 NEF-2A                               |
| Bushing length         | 9,53 mm [0.375 in]   |
| Bushing Type           | Standard   |
| Shaft Diameter         | 6,35 mm [0.25 in]  |
| Shaft length           | 22,23 mm [0.875 in]  |
| Shaft Ending           | Slotted  |
| Body                   | 27.8 mm [1.094 in] diameter max. except at terminal standoff |
| Electrical Taper       | Linear   |
| Operating Temperature  | -55 °C to 120 °C [-67 °F to 248 °F]                          |
| Working Voltage (Max.) | 500 V  |
| Rotational Life        | 25000 cycles   |
| Mechanical Rotation    | 312°   |
| Availability           | Global   |
| Series Name            | RV4 Series   |
| UNSPSC Code            | 4111363300   |
| UNSPSC Commodity       | 4111363300 Potentiometers                                    |

**Honeywell**

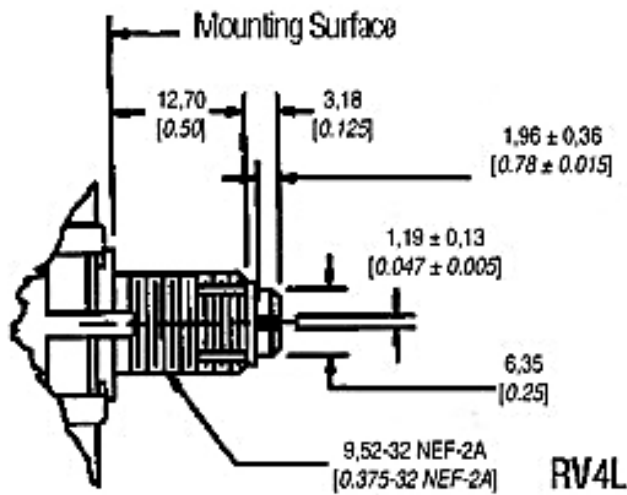
## RV4NAYSD254A

RV4 Series Industrial Potentiometer, Conductive Plastic Element, Solder lug Terminals, 2 W Power Rating, 250 kOhm Resistance Value

For Reference Only mm/in



RV4N



RV4L

**Honeywell**

## RV4NAYS254A

RV4 Series Industrial Potentiometer, Conductive Plastic Element, Solder lug Terminals, 2 W Power Rating, 250 kOhm Resistance Value

** WARNING**

**PERSONAL INJURY**

DO NOT USE these products as safety or emergency stop devices, or in any other application where failure of the product could result in personal injury.

**Failure to comply with these instructions could result in death or serious injury.**

** WARNING**

**MISUSE OF DOCUMENTATION**

- The information presented in this product sheet (or catalog) is for reference only. DO NOT USE this document as product installation information.
- Complete installation, operation and maintenance information is provided in the instructions supplied with each product.

**Failure to comply with these instructions could result in death or serious injury.**